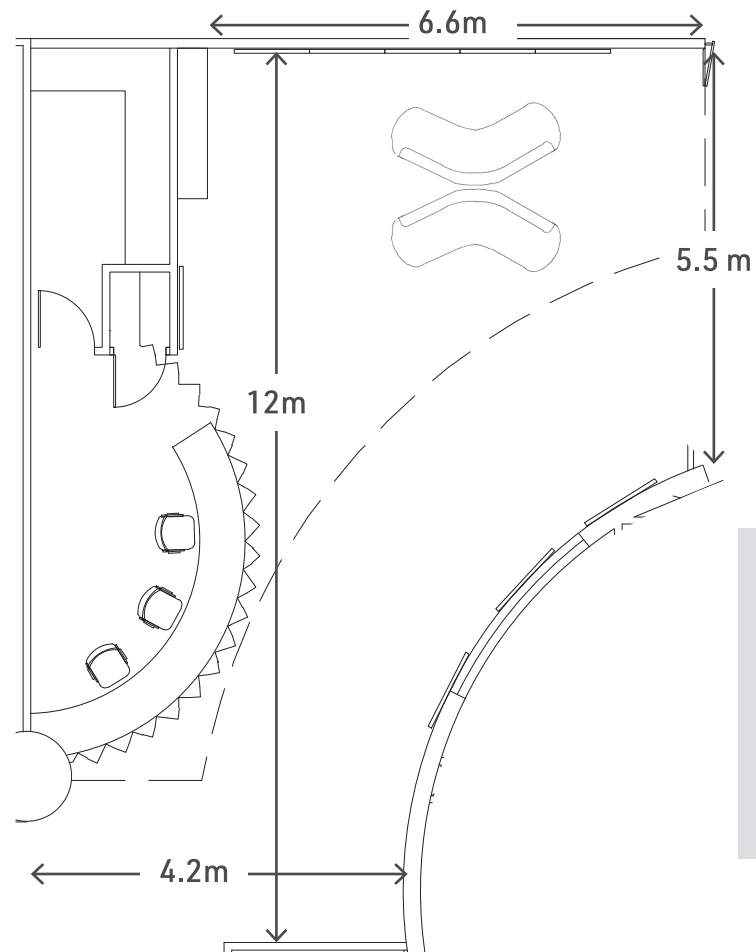


## Floor Plan of Alumni Atrium

### Pauline Tsang Po Yan Gallery (29m<sup>2</sup>)

1/F, Chung Sze Yuen Building (Core A)



#### Capacity

Standing: 30 pax

#### Equipment and Furniture

4 LED TVs

2 sofas