

Floor Plan of Alumni Atrium

FHKPUAA Meeting Room

1/F, Chung Sze Yuen Building (Core A)

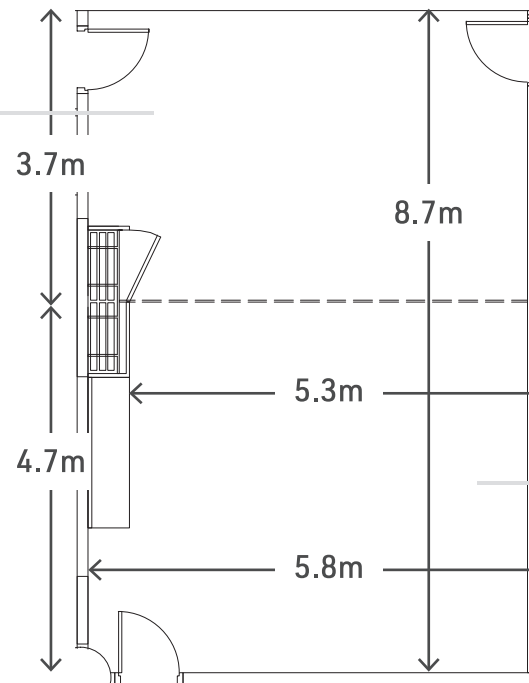
FHKPUAA Meeting Room I (28m²)

Capacity

Boardroom Setting: 10 pax
Theatre Setting: 15 pax

Equipment and Furniture

1 LED TV
4 folding tables
10 chairs
Data network connection



FHKPUAA Meeting Room II (22m²)

Capacity

Boardroom Setting: 10 pax
Theatre Setting: 15 pax

Equipment and Furniture

1 overhead projector and screen
4 folding tables
10 chairs
Data network connection